

**MORE POWER - LESS SPACE®**



**TIER 4 RELIABILITY**

**HR5500**

- **Exclusive IPF® Technology optimizes power capacity, cell consistency, and long-term reliability**
- Advanced AGM technology for superior high rate, short term power
- Reinforced case resists bulging and meets safety requirements
- Case & cover heat sealed and 100% tested to prevent leaks
- Epoxy-sealed posts eliminate leaks
- Puncture resistant micro-porous glass mat separators extend life
- Flame arresting, low pressure, self-sealing valves are 100% factory tested
- Computer-aided design, manufacturing control processes, and standards to ensure quality products
- All batteries meet or exceed IEEE recommended practices
- Battery design and construction meet UL recognition requirements



QUALITY SYSTEM  
CERTIFIED  
**ISO 9001**  
**ISO/TS 16949**  
ENVIRONMENTAL  
SYSTEM CERTIFIED  
**ISO 14001**



**SPECIFICATIONS**

**Nominal Voltage:** 12-Volt/550 w.p.c.  
@ 15 min. rate to 1.67 v.p.c.

**Positive Plate:** Pure lead, low-calcium,  
high-tin alloy

**Negative Plate:** Lead calcium alloy

**Post Seal:** Epoxy-sealed

**Terminal:** Top access,  
1/4" - 20 threaded insert

**Container:** Flame-retardant, polypropylene -  
UL 94 V-0/>28% L.O.I.

**Safety Vent:** Low positive pressure,  
self-sealing w/ flame arrestor

**Float Voltage:** 2.25 v.p.c. ± 0.01 v.p.c. (Range: 13.44  
to 13.56 volts per 6-cell battery)

**Design Life:** 10 years in float applications  
at 77°F (25°C)

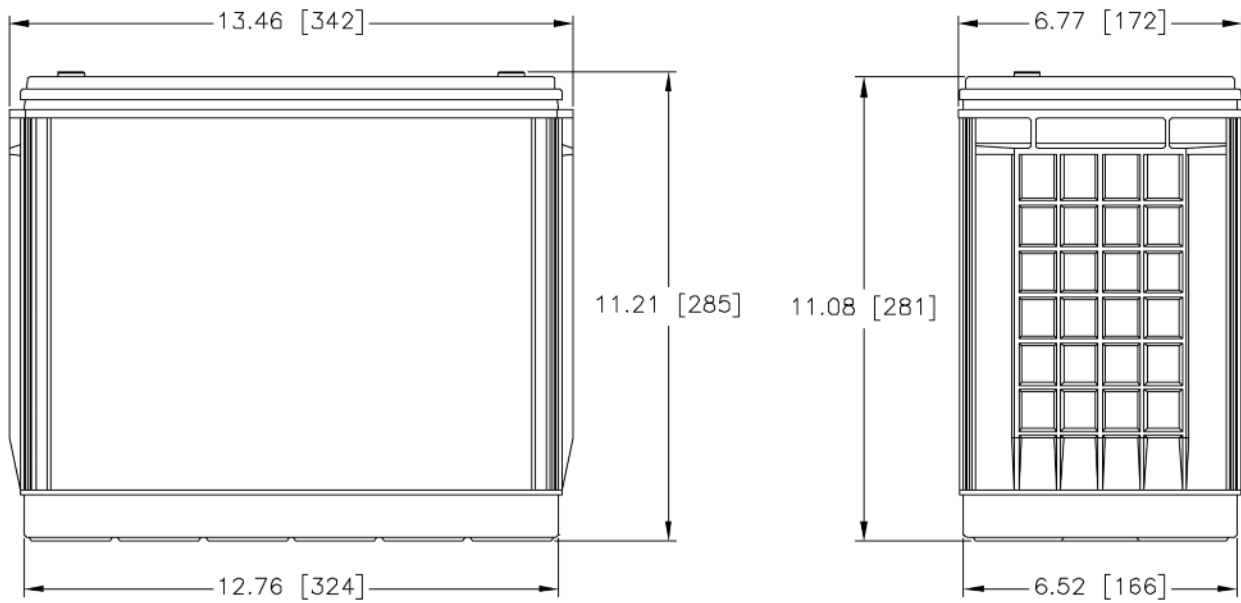
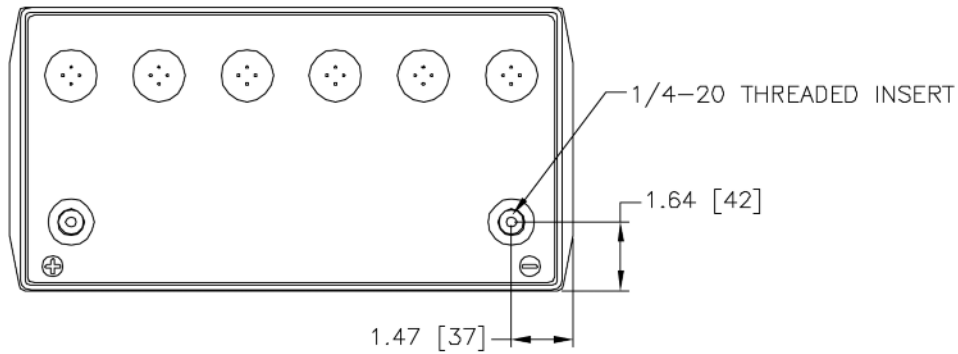
**Dimensions:** 13.46" (342 mm) L  
x 6.77" (172 mm) W  
x 11.21" (285 mm) H

**Weight:** 107 lbs. (48.5 kg)

**DISCHARGE RATE IN WATTS PER CELL RATINGS @ 77°F (25°C)†**

Volts Per Cell (VPC)	1 MIN.	5 MINS.	10 MINS.	15 MINS.	20 MINS.	30 MINS.	40 MINS.	60 MINS.
1.60	1366	992	737	572	471	350	279	200
1.67	1244	914	694	550	459	345	277	199
1.70	—	849	660	536	450	341	274	198
1.75	—	782	622	504	429	330	268	196
1.80	—	701	559	467	400	312	256	188

† Subject to change without notice.



[www.eastpennunigy.com](http://www.eastpennunigy.com)



East Penn Manufacturing Co. Lyon Station, PA 19536-0147 Phone: 610-682-4231 Fax: 610-682-4781 e-mail: sales@eastpennunigy.com